

# H128 Series

■Features : Elevator, Parking system  
High resolution, Customized design,  
Easy to be attached

## Model

INCREMENTAL  
HOLLOW TYPE  
Outer Diameter Ø128

Shaft Size  
52 : Ø52

### H128 - 52 -

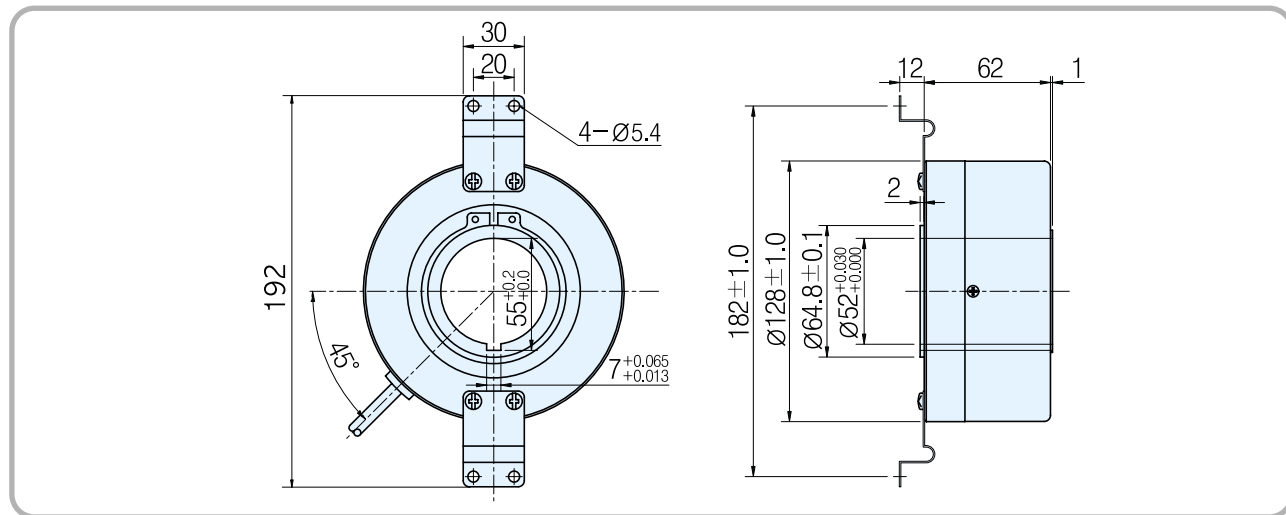
Resolution(P/R)  
1024 8192

Output Signal  
B : A, B

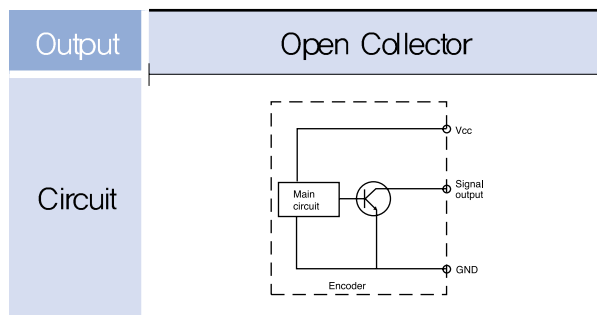
Output Form  
O : Open Collector

Cable Length  
1 : 1[M]  
2 : 2[M]  
3 : 3[M]  
4 : 5[M]  
5 : 10[M]

## External Dimension



## Output Circuit



## Electrical Spec.

Output type	Open Collector
Power Supply	DC +15[V] Ripple p-p : less than 5%
Consuming Current ( In case of no load )	70mA Max
Maximum Response Frequency	100 KHz
Output voltage	Less than V <sub>i</sub> 0.5[V] / More than V <sub>i</sub> 10[V]
Output current	Less than 20mA
Rising, decline time	Less than 0.1μs
Common conditions	In case that the cable length of output side is 1[M] and load resistance is less than 1[kΩ]

## Mechanical Spec.

Starting Torque	800g - cm Max
Maximum number of revolution	800 rpm
Bearing lifetime	50,000[hr](In case of rotating by 3000rpm)
Allowable Shaft Load	Radial : 5.0kg Max Axial : 2.5kg Max
Position deflection of allowable shaft	Radial : Less than 0.05 mm Axial : Less than 0.2mm
Connection Table	3P(AWG26) Shield CABLE
weight	1.5kg

## Rigid Spec.

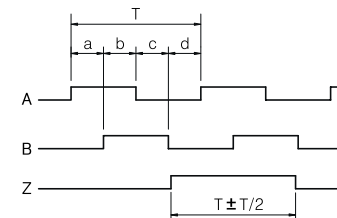
Operating Temp. Range	-10°C ~ +70°C (No freezing)
Preserving temp	-20°C ~ +85°C
Using humidity	35% ~ 80% RH
Preserving Humidity	35% ~ 85% RH
Internal Vibration	5G
Internal Shock	50G
Degree of Protection	IP 50

## Output Phase Shift

CCW → Counterclockwise viewed from shaft end  
 $a + b, c + d = T/2 \pm T/10$   
 $a, b, c, d = T/4 \pm T/10$



## Open Collector



## Connection Table

Cable's Color	Connection Table
Output Form	Open Collector
Red	Vcc
Black	GND
Green	A Sig
Orange	A Sig GND
Brown	B Sig
White	B Sig GND
Shield	CASE Shield